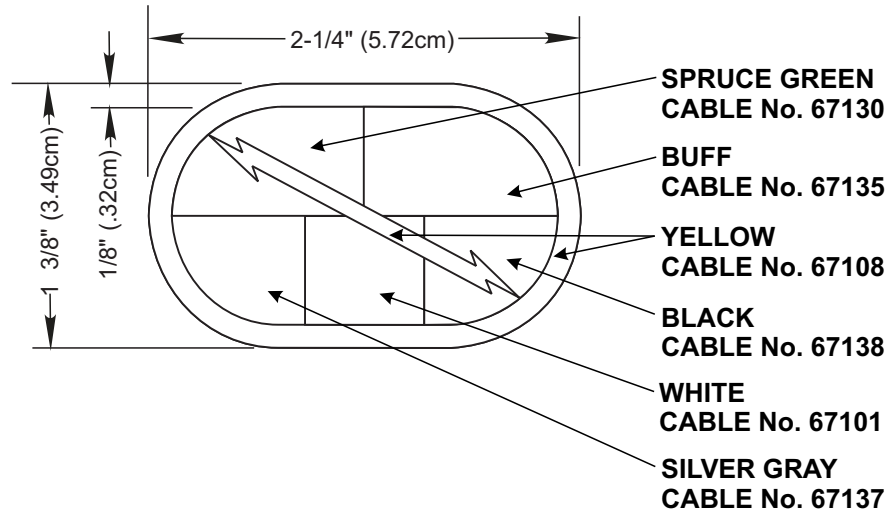


**REVISIONS**

LTR	DESCRIPTION	DATE	APPROVED
-----	-------------	------	----------



- SPRUCE GREEN  
CABLE No. 67130
- BUFF  
CABLE No. 67135
- YELLOW  
CABLE No. 67108
- BLACK  
CABLE No. 67138
- WHITE  
CABLE No. 67101
- SILVER GRAY  
CABLE No. 67137

**DESIGNED FOR OVEREDGE STITCHING**

UNLESS OTHERWISE SPECIFIED DIMENSIONS ARE IN INCHES TOLERANCES ON FRACTIONS DECIMALS ANGLES

EXAMINED	<i>TLC</i>	
CHECKED	<i>CA</i>	<i>SAD</i>
PREPARED	<i>CLH</i>	
APPROVED	 CHARLES V. MUGNO DIRECTOR	

THE INSTITUTE OF HERALDRY, DEPARTMENT OF THE ARMY  
 9325 GUNSTON RD, RM S-113 FORT BELVOIR, VA 22060-5579

BACKGROUND TRIMMING FOR  
**8TH PSYCHOLOGICAL OPERATIONS BATTALION**

SIZE	CONTROL IDENT. NO	<b>A-6-338</b>
<b>A</b>	<b>22571</b>	
SCALE	DATE	
FULL	<b>31 JANUARY 2017</b>	

MATERIALS:  
 TO BE MANUFACTURED IN ACCORDANCE WITH MIL-DTL-14652